

# Product data sheet

## Characteristics

# XUZA218

Adjustable fixing clamp with ball joint,  
Photoelectric sensors XU, accessory for sensor,  
Ø 18 mm, bracket plastic



Product availability: Stock - Normally stocked in distribution facility

Price\*: 10.20 USD



### Main

Range of product	Telemecanique Photoelectric sensors XU
Accessory / separate part category	Mounting and fixing accessory
Accessory / separate part type	Fixing bracket
Product or component type	Adjustable fixing clamp with ball joint
Accessory / separate part destination	Sensor Ø 18 mm
Material	Plastic

### Complementary

Product compatibility	XU.
Net Weight	0.08 Lb(US) (0.035 kg)

### Ordering and shipping details

Category	22499 - SENSORS ACCESSORIES
Discount Schedule	DS2
GTIN	03389110704730
Nbr. of units in pkg.	1
Package weight(Lbs)	1.13 Oz (32 g)
Returnability	Yes
Country of origin	FR

### Packing Units

Unit Type of Package 1	PCE
Package 1 Height	1.22 In (3.1 cm)
Package 1 width	4.21 In (10.7 cm)
Package 1 Length	2.80 In (7.1 cm)
Unit Type of Package 2	S02
Number of Units in Package 2	100

Package 2 Weight	7.76 Lb(US) (3.521 kg)
Package 2 Height	5.91 In (15 cm)
Package 2 width	11.81 In (30 cm)
Package 2 Length	15.75 In (40 cm)

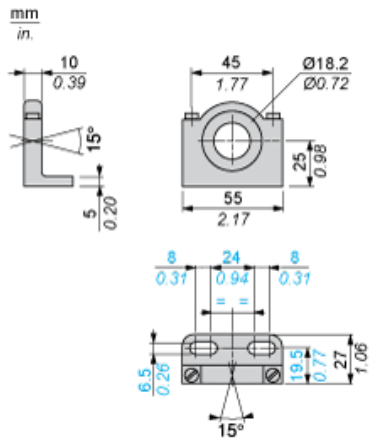
**Offer Sustainability**

Sustainable offer status	Green Premium product
California proposition 65	WARNING: This product can expose you to chemicals including: Diisononyl phthalate (DINP), which is known to the State of California to cause cancer, and Diisodecyl phthalate (DIDP), which is known to the State of California to cause birth defects or other reproductive harm. For more information go to <a href="http://www.P65Warnings.ca.gov">www.P65Warnings.ca.gov</a>
REACH Regulation	<a href="#">REACH Declaration</a>
EU RoHS Directive	Pro-active compliance (Product out of EU RoHS legal scope) <a href="#">EU RoHS Declaration</a>
Mercury free	Yes
RoHS exemption information	<a href="#">Yes</a>
Environmental Disclosure	<a href="#">Product Environmental Profile</a>
Circularity Profile	<a href="#">End Of Life Information</a>

**Contractual warranty**

Warranty	18 months
----------	-----------

Dimensions



Product Life Status : Commercialised